

Grand piano

■ [Assembly Instructions] : Eleven A4 sheets

※ When assembling the parts, be sure to carefully read the "Assembly Instructions" along with the parts sheet.

※ This model was designed for Papercraft and may differ from the original in some respects.

※ Black and yellow paint has been added to the finished piece in the photo.

Assembly Instructions

- 1: Carefully cut out the parts.
- 2: Make mountain folds and valley folds along the dotted lines, as indicated by the directions.
- 3: Assemble the parts in the order shown by the numbers on the glue tabs.
(Read the assembly instruction for more information.)
- 4: Attach the parts in order.
(Read the assembly instruction for more information.)
- 5: Your Paper craft model is finished.


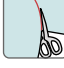



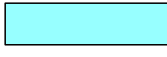

What you need

- Scissors, tweezers, glue** (We recommend craft glue.)
- Glue stick** (used to attach wide surfaces together.)
- Thread** (size 20) (Used to string the piano.)
- Instant adhesive** (Recommended to attach the thread.)

Caution

- Keep glue away from small children.
- Be careful not to cut your fingers when using scissors.
Fold the folding lines before gluing.

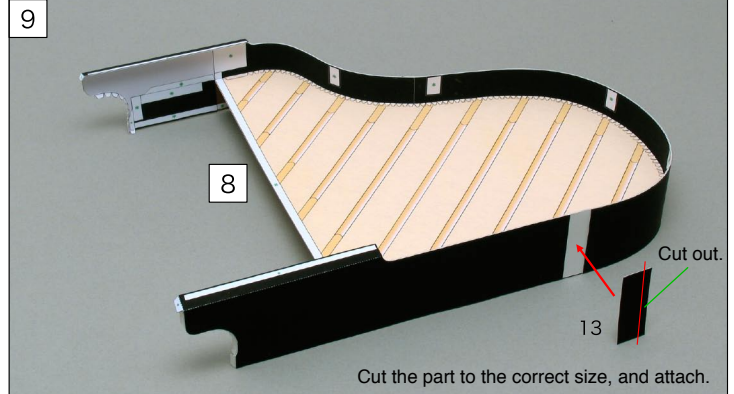
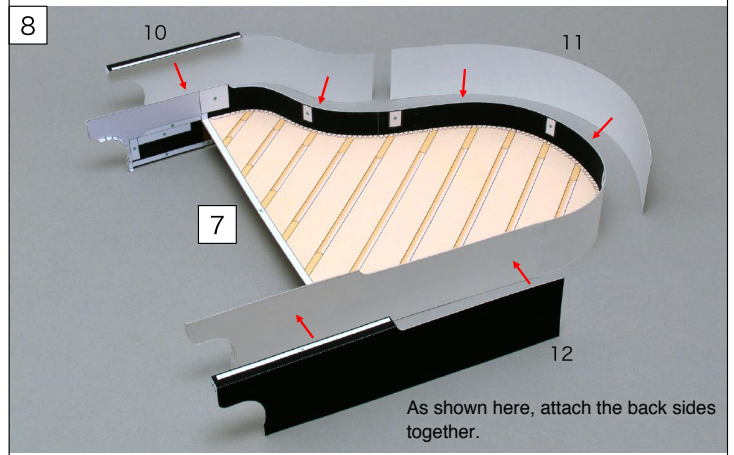
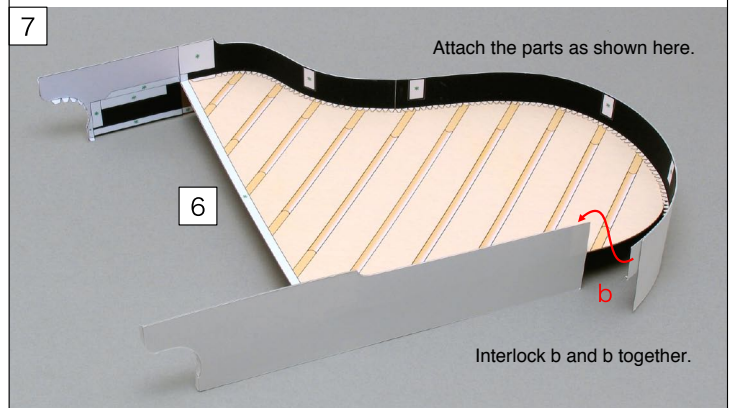
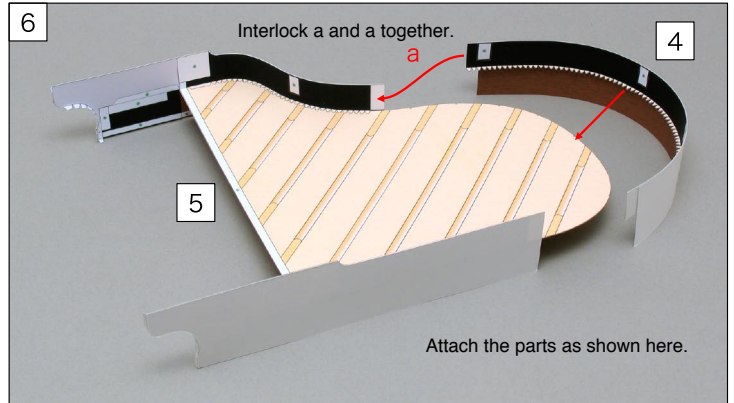
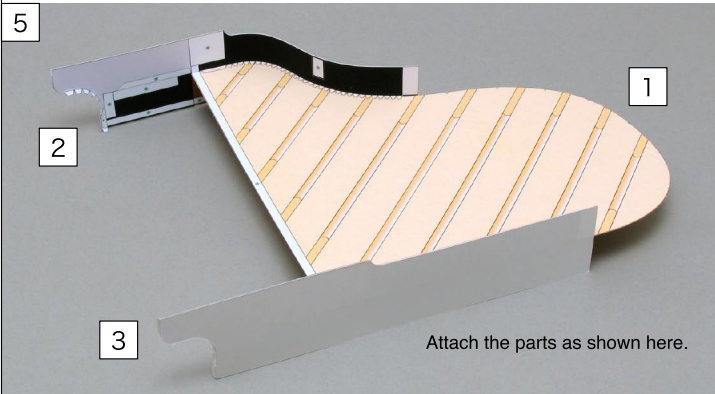
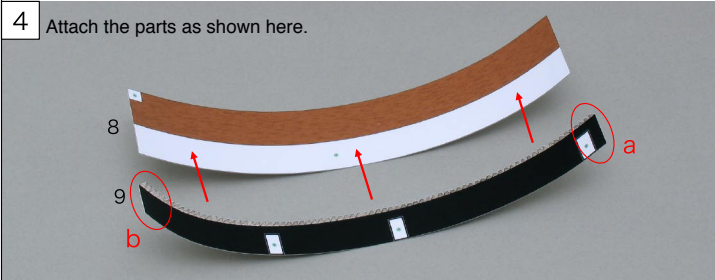
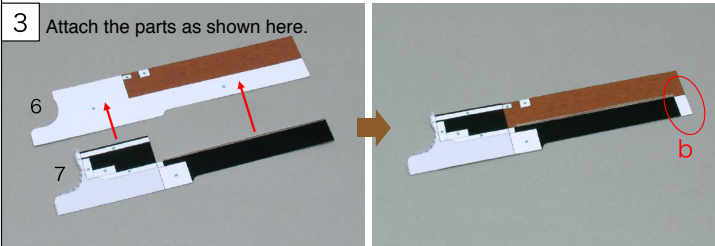
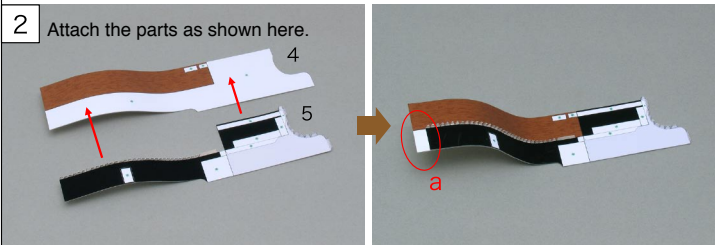
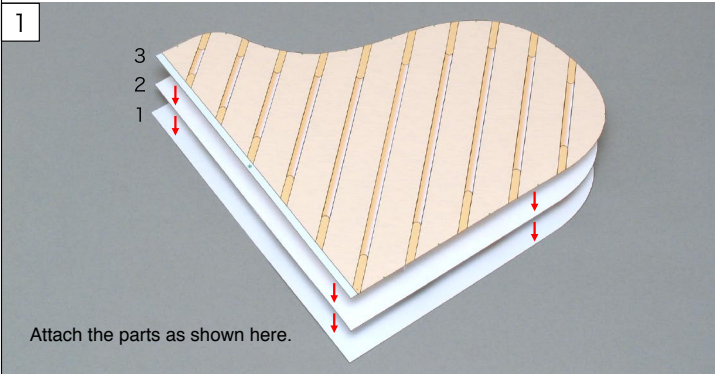
Notation Key

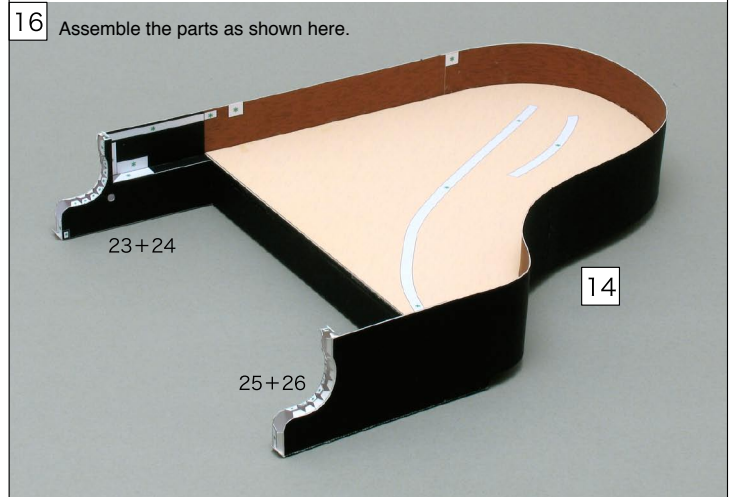
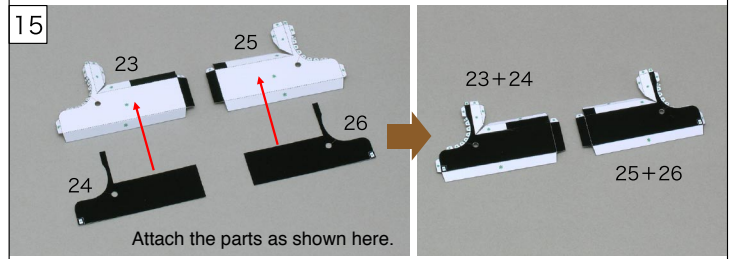
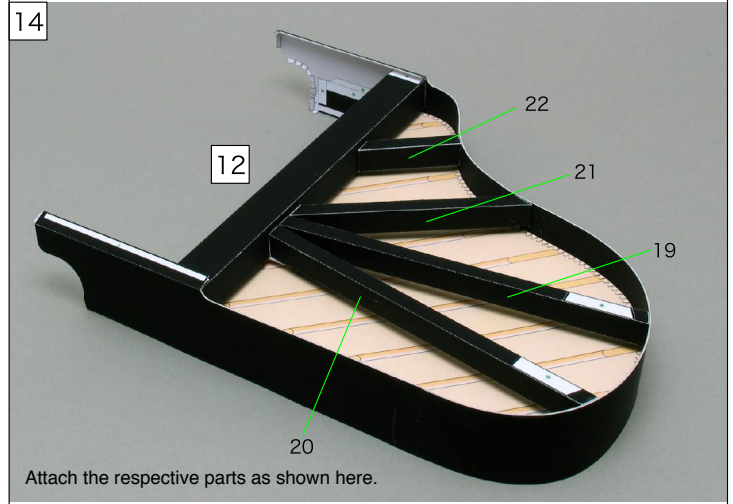
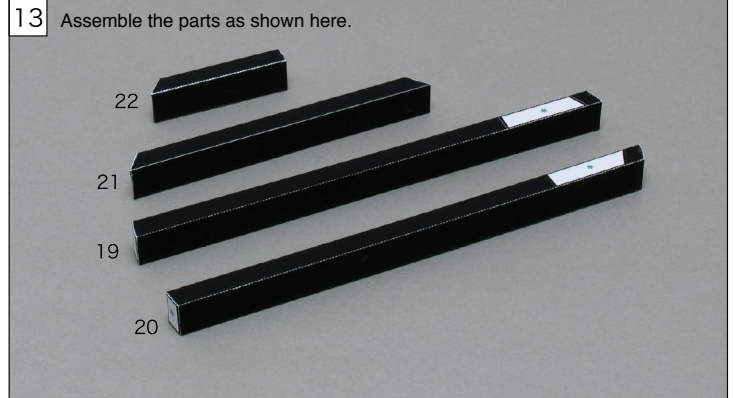
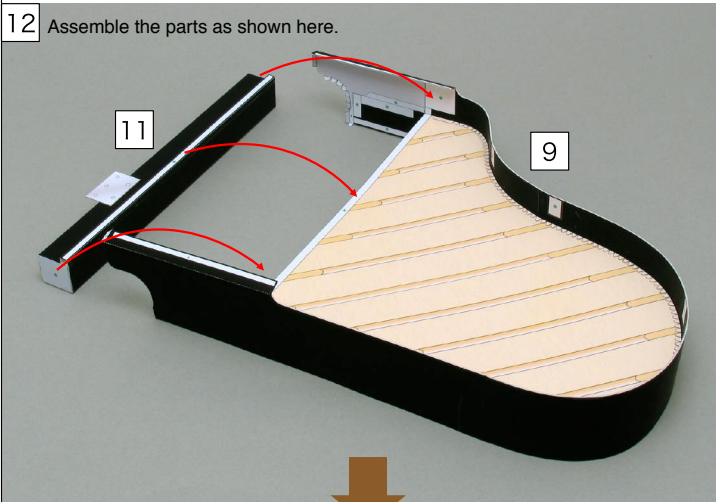
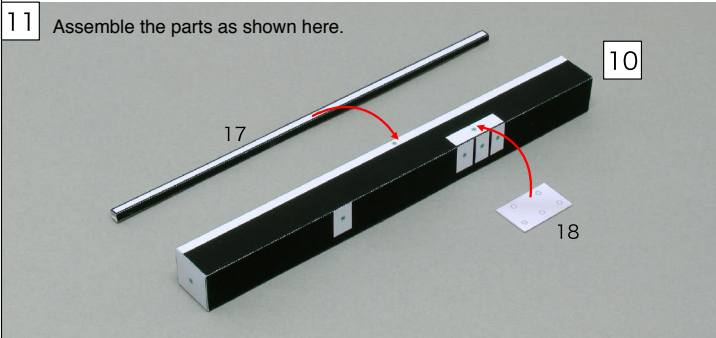
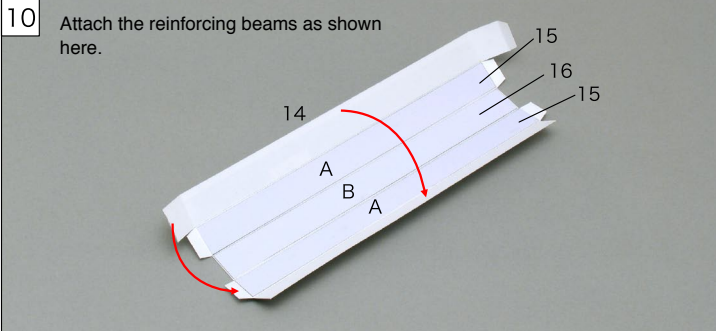
	—————	Scissors line
	—————	Cut in line
	Mountain fold
	Valley fold
		Cut out
	*	Glue spot

★ Handy Hint

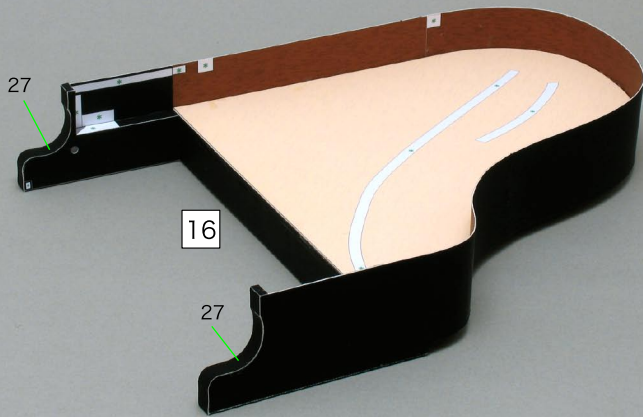
You can give the piano a more "genuine" appearance if you paint the surface after cutting out the black and yellow parts.

A Making the grand piano's body.

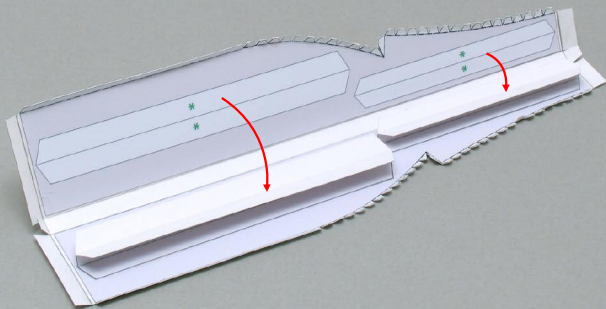
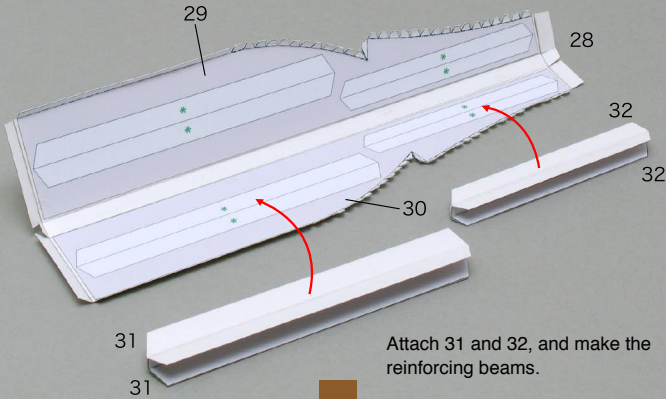




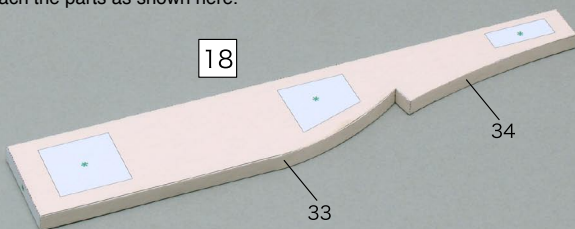
17 Attach the parts as shown here.



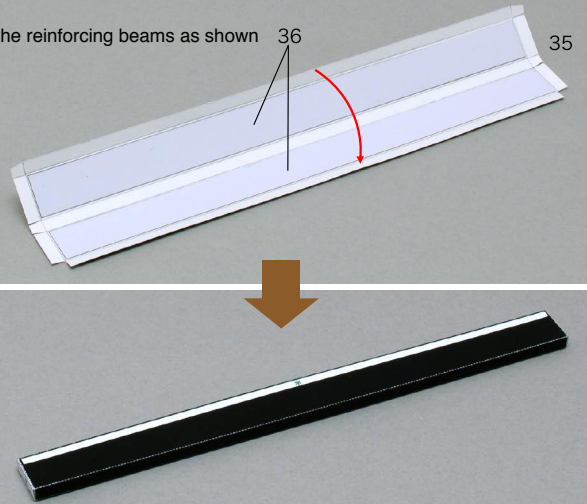
18 After gluing 28 and 29 together, attach the reinforcing beams as shown.



19 Attach the parts as shown here.

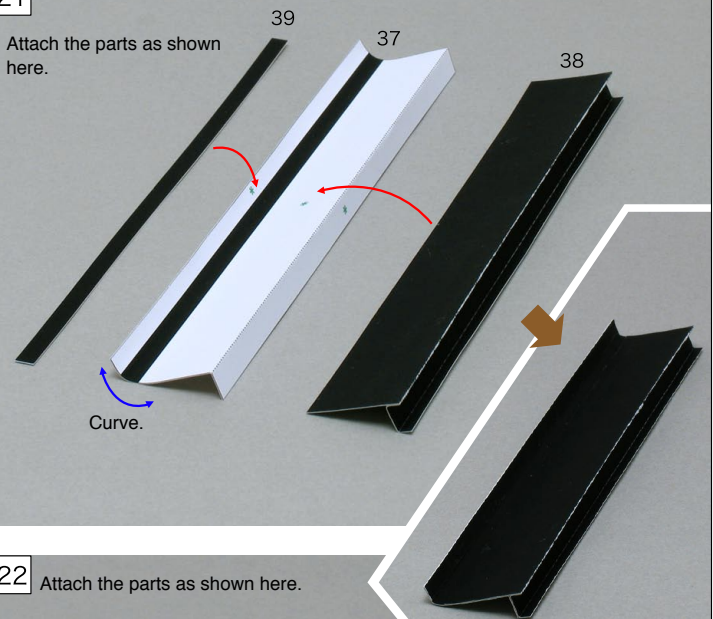


20 Attach the reinforcing beams as shown here.

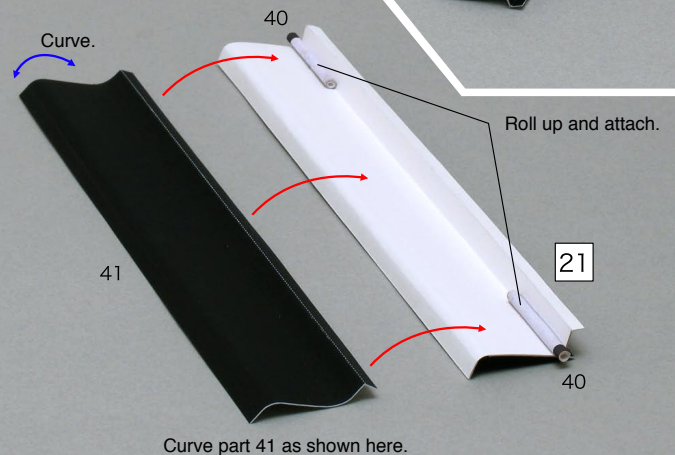


B Making the fallboard.

21 Attach the parts as shown here.

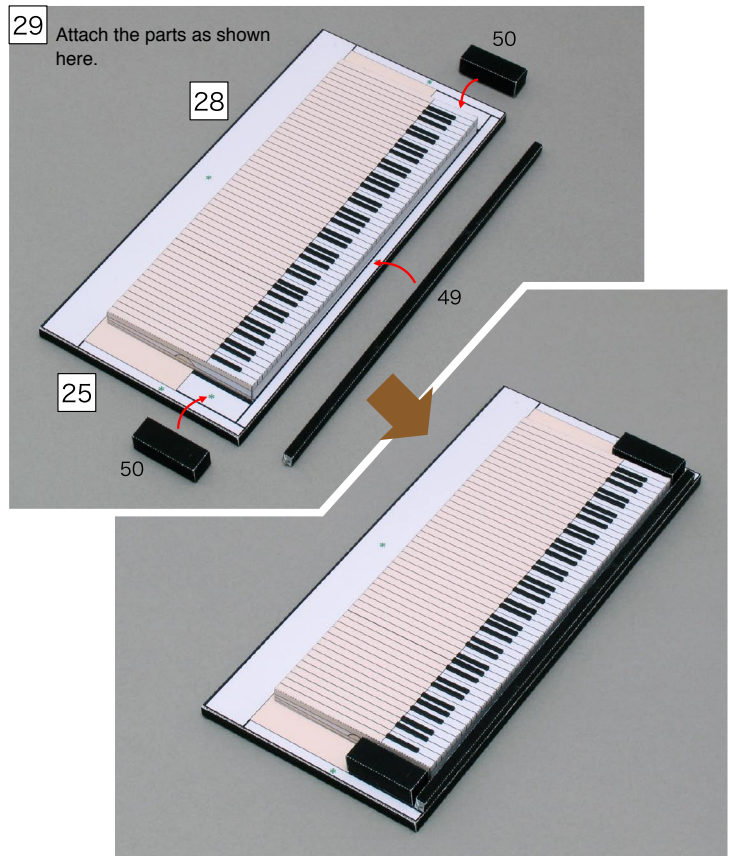
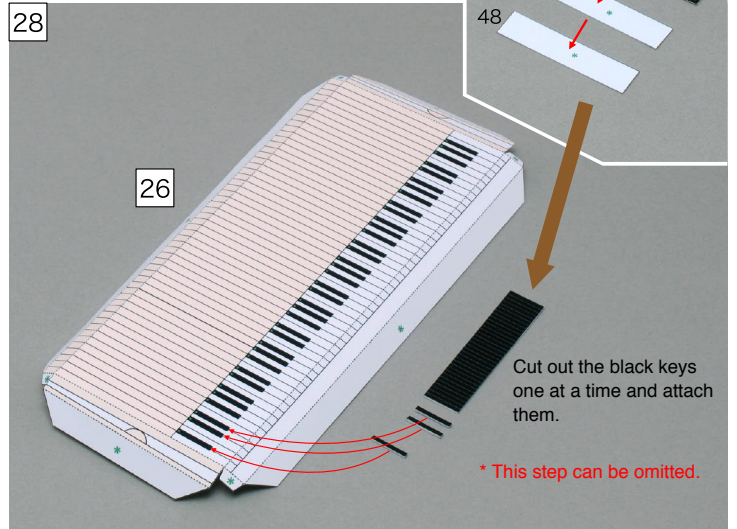
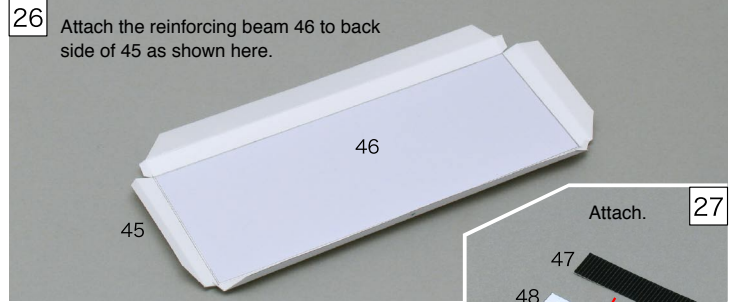
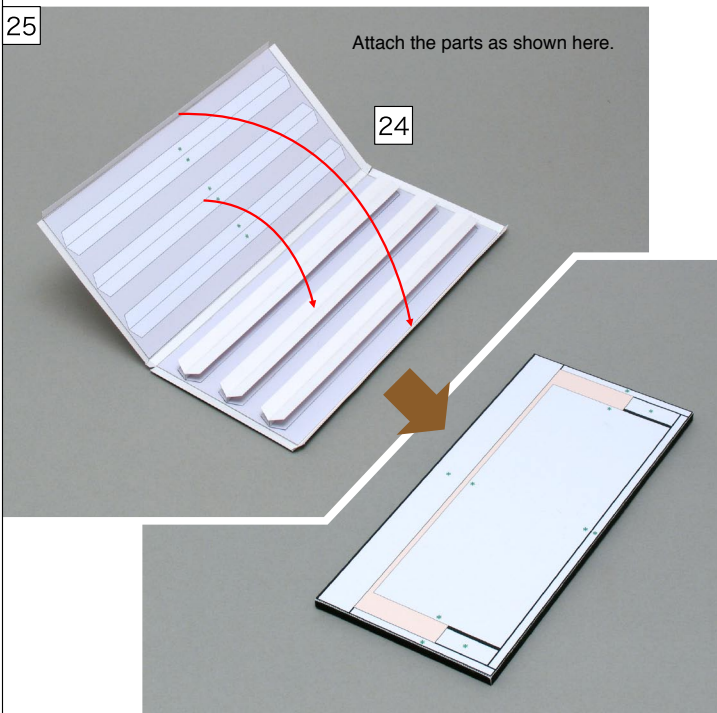
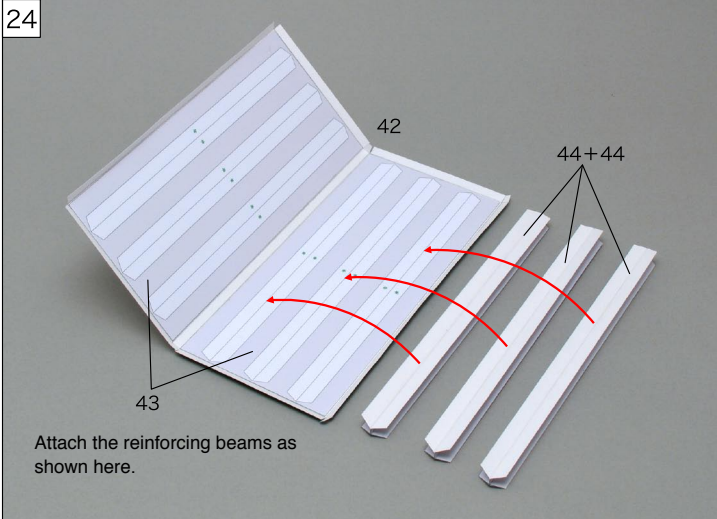


22 Attach the parts as shown here.

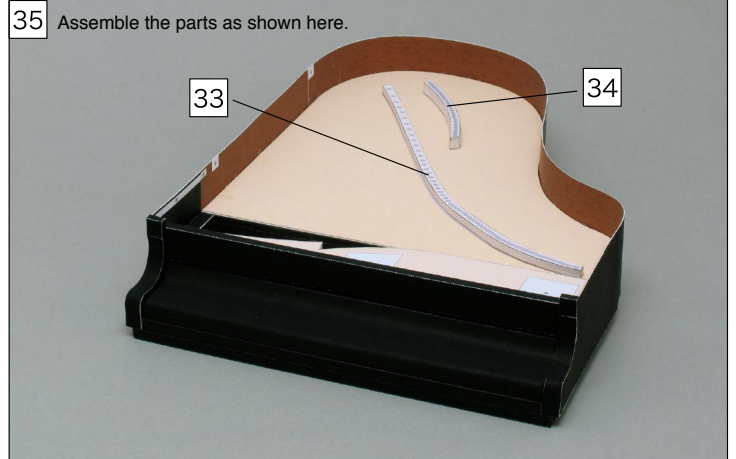
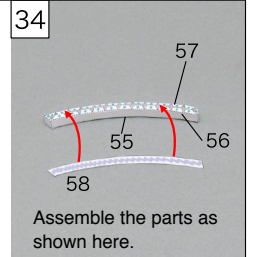
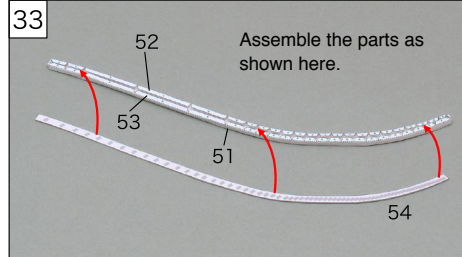
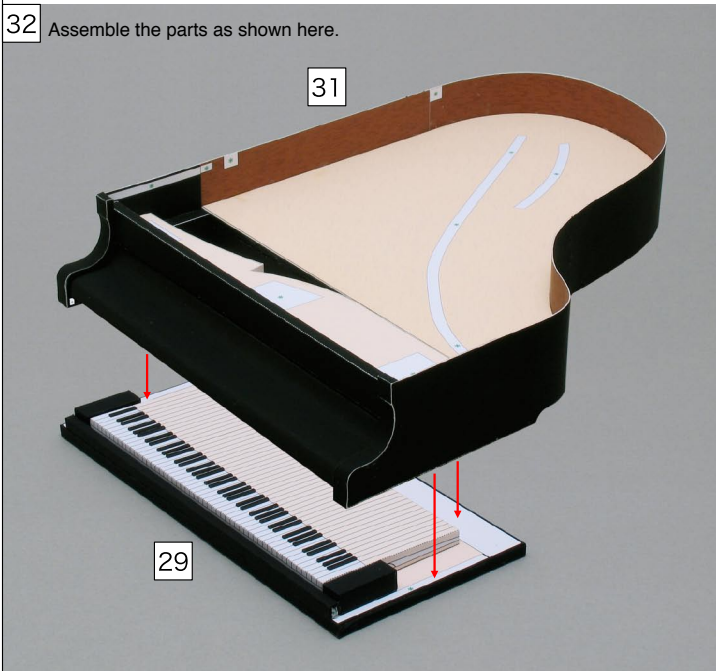
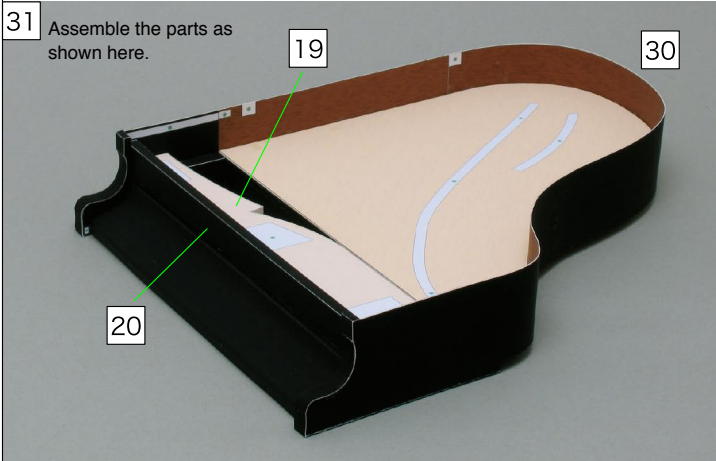
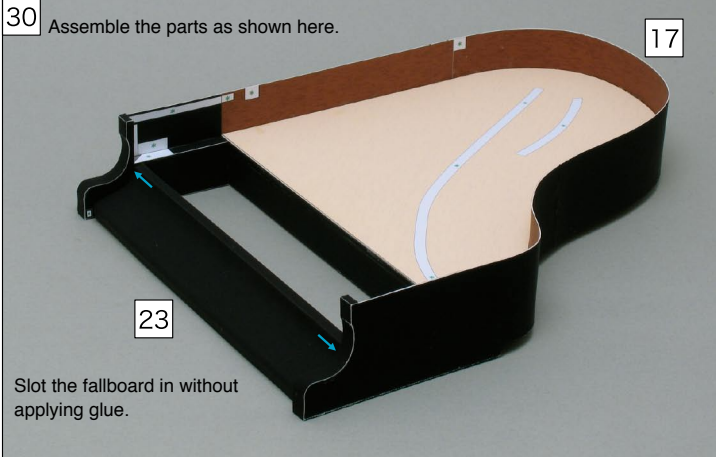




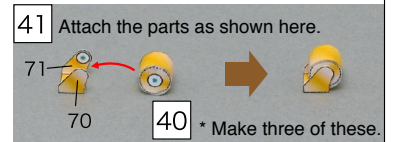
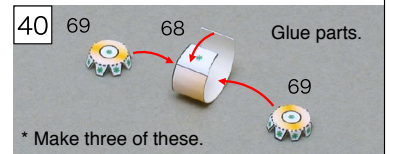
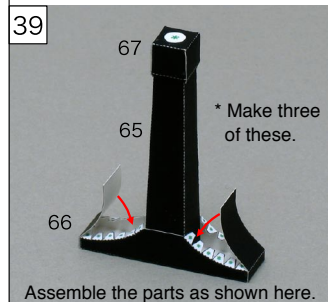
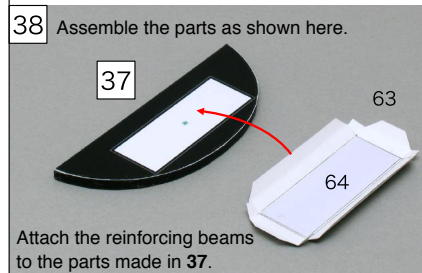
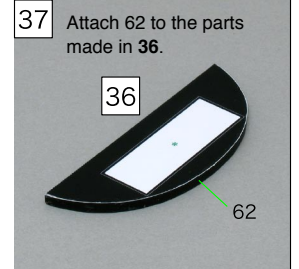
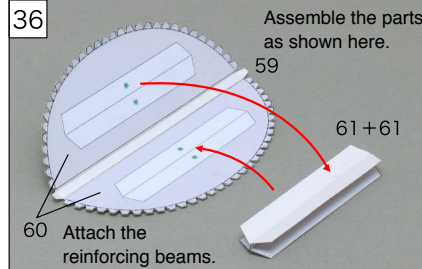
C Making the backbottom and keys.

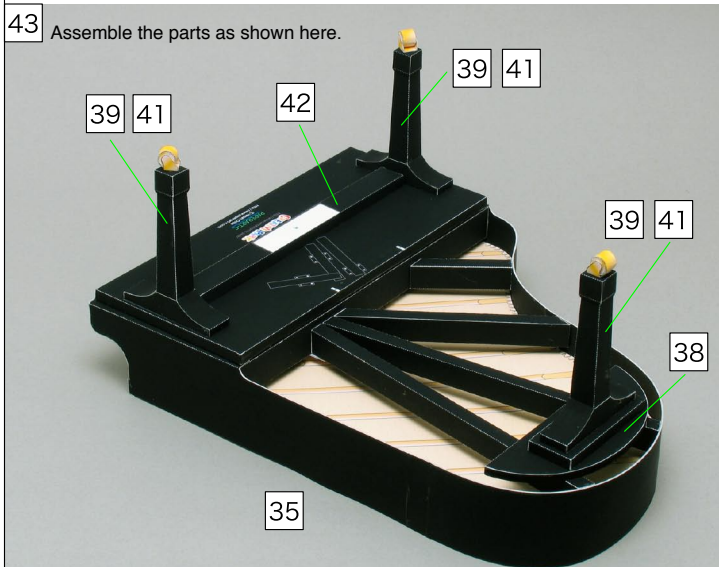
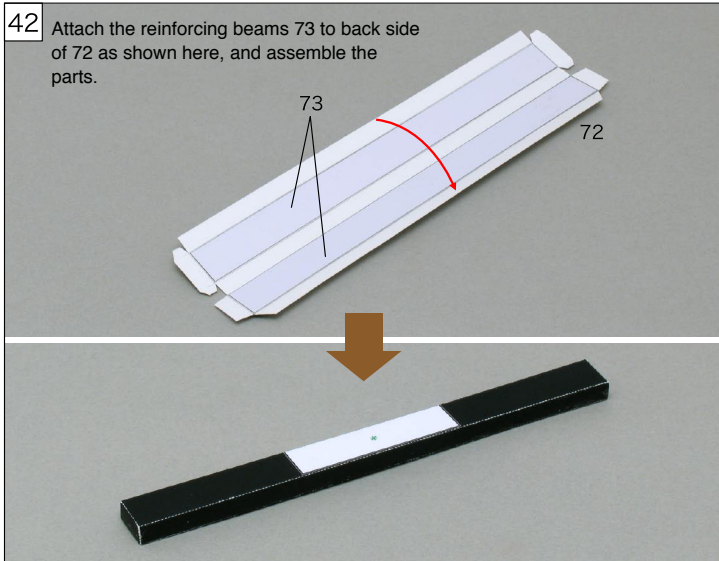


D Put the parts together to assemble the body.

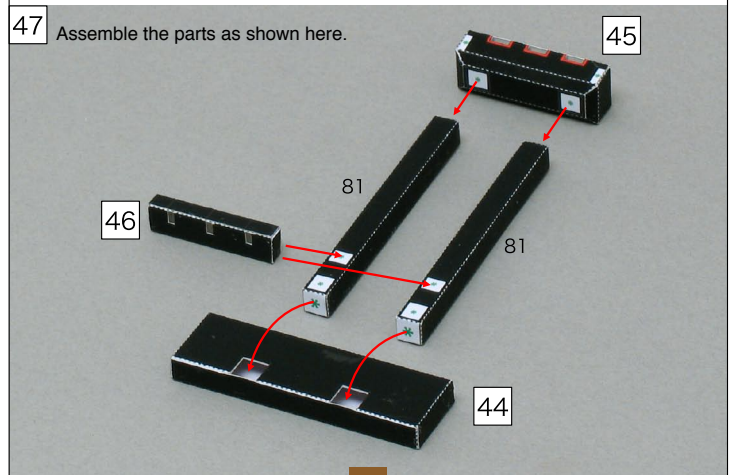
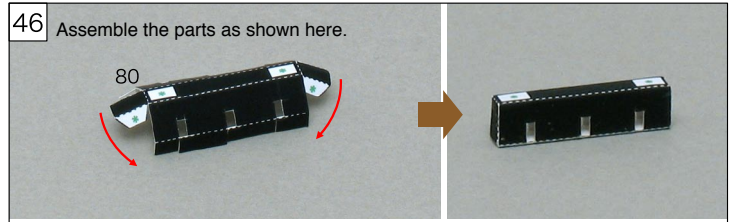
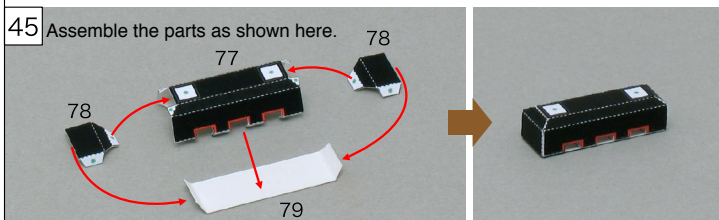
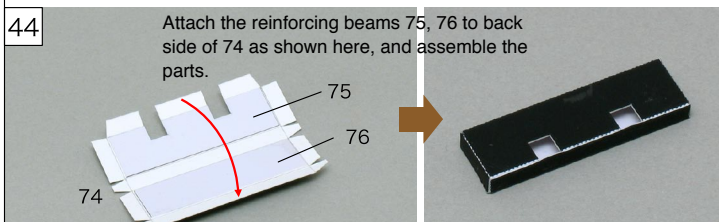


E Making the console and legs.





F Making the pedals.



View from above.



View from underneath.

